



KV-Empty boxes



KG 9002

- Degree of protection: IP 55 (ESM), IP 65 (see cable entry systems LES)

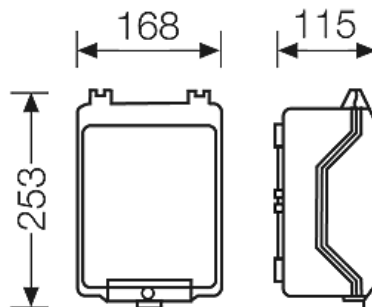


- for installation equipment on DIN rails or mounting plates
- max. installation depth with built-in mounting plate 95 mm, with built-in DIN rail 89 mm
- with transparent hinged lid
- fastener for tool operation
- sealable
- cable entry via metric knockouts
- included cable entry: 2 ESM 25, sealing range \varnothing 9-17 mm and 1 ESM 32, sealing range \varnothing 9-23 mm
- colour: grey, RAL 7035

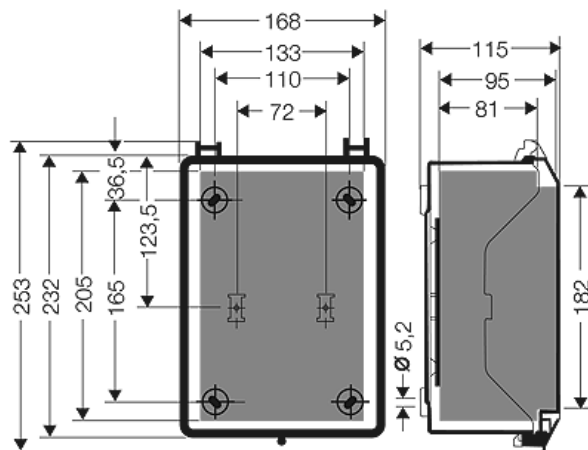
| | |
|------------------|------------------------------|
| protection class | II |
| Material: | PS polystyrene thermoplastic |
| width | 168 mm |
| height: | 253 mm |
| depth | 115 mm |
| Weight | 0,551 kg |

Drawings


Dimension drawing



Detail mass





KV-Empty boxes



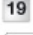

KG 9002

- Degree of protection: IP 55 (ESM), IP 65 (see cable entry systems LES)

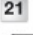





Box walls

4 x M 20
2 x M 25/32
1 x M 32/40

2 x AVS 16/
EVS 16

Operating and ambient conditions

| | |
|---|--|
| Application area | Suitable for indoor installation and outdoor installation, protected against weather influences However, pay attention to the climatic effects on the installed equipment , for example, high or low ambient temperatures or formation of condensed water see technical information |
| Ambient temperature | Maximum value + 60 °C Minimum value - 25 °C |
| Fire protection in the event of internal faults | Demands placed on electrical devices from standards and laws Minimum requirements - Glow wire test in accordance with IEC 60 695-2-11: - 650°C for boxes and cable glands - 850°C for parts of insulating material necessary to retain current carrying parts in position |
| Burning behaviour | Glow wire test IEC 60 695-2-11: 750 °C UL Subject 94: V-2 flame-retardant self-extinguishing |
| Degree of protection against mechanical load | IK08 (5 Joule) |
| Toxic behaviour | halogen-free silicone-free "halogen-free" in accordance with the examination of the cables and insulated wires - corrosiveness of fumes - as per IEC 60 754-2 |
| Note: | For material properties see technical data. |